

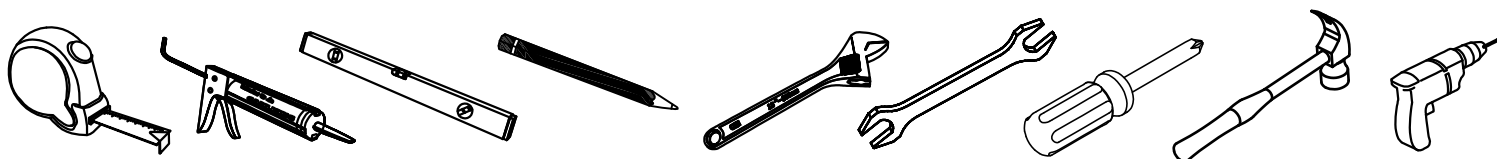
This model consists of individual cabinets to make the complete set.

Prior to installation, please check the items you have received against the packing list. Report any missing items to your local dealer immediately.

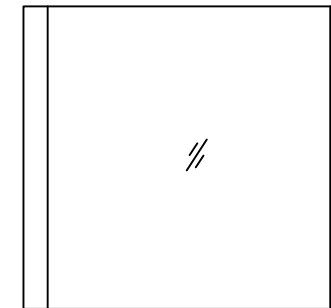
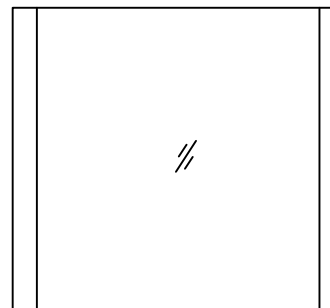
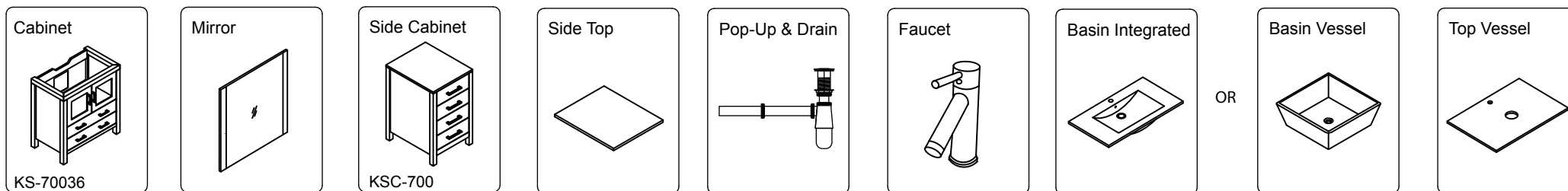
Protect all surfaces from sharp objects, high heat sources, direct prolonged sunlight and chemical hazards.

**Professional installation is recommended.**

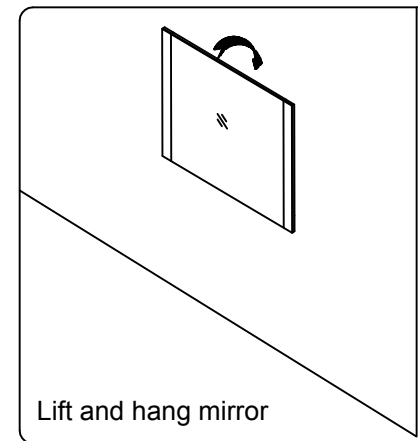
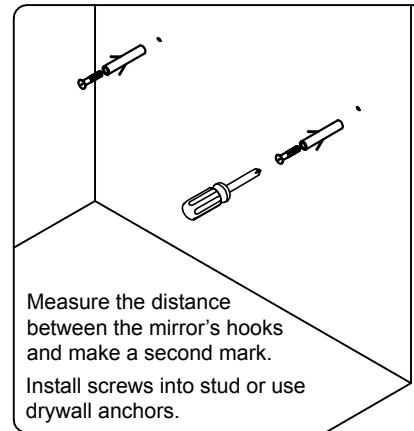
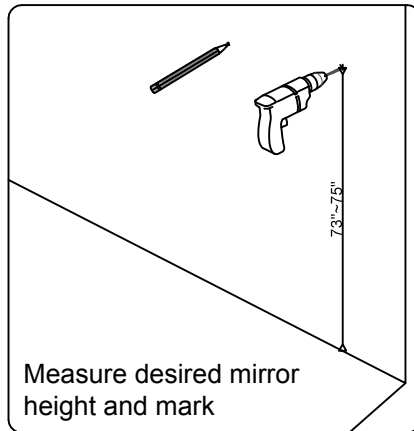
### REQUIRED TOOLS



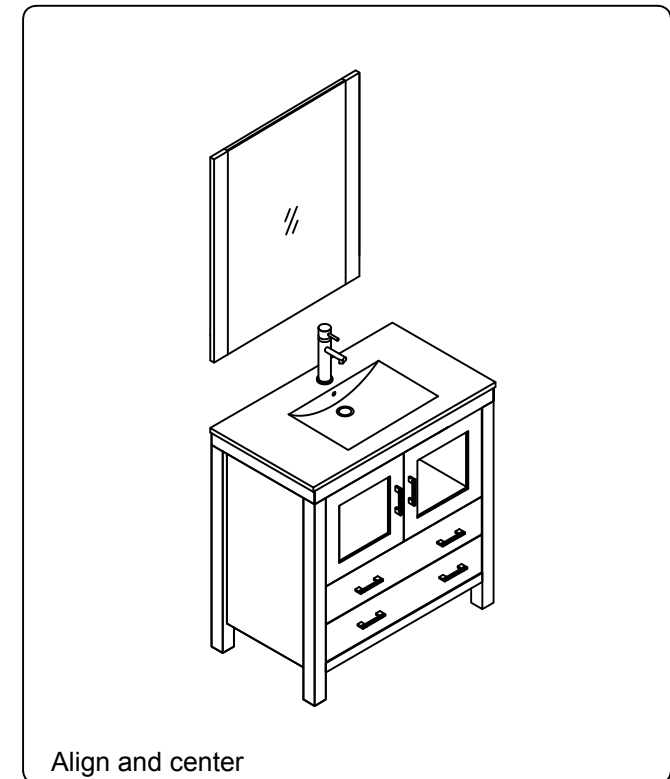
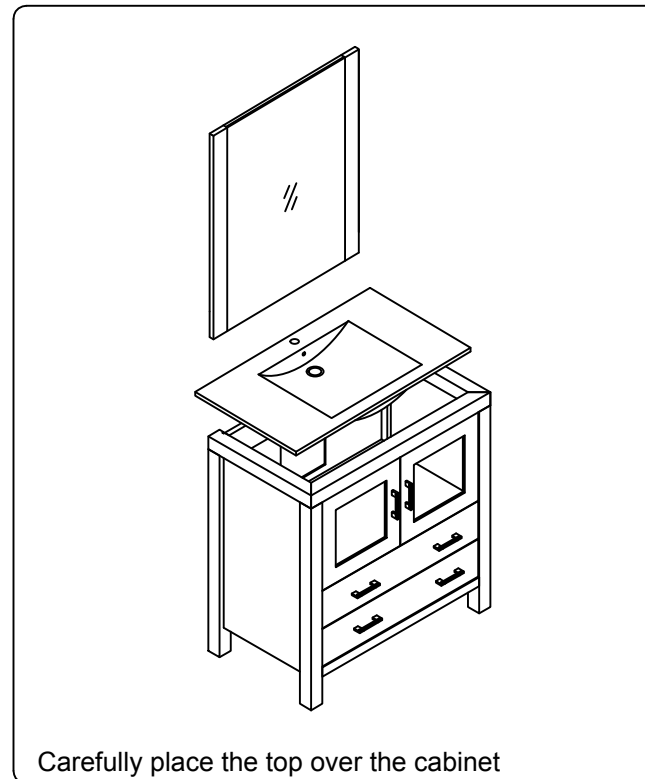
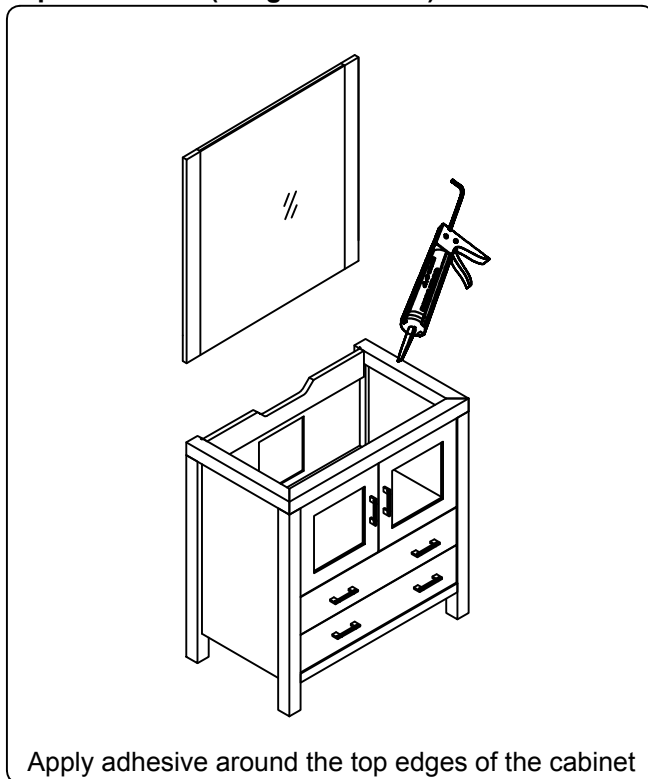
### PARTS LIST (may differ depending on purchase)



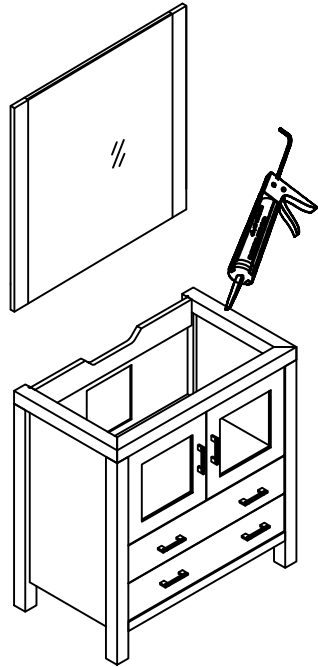
### Mirror Installation



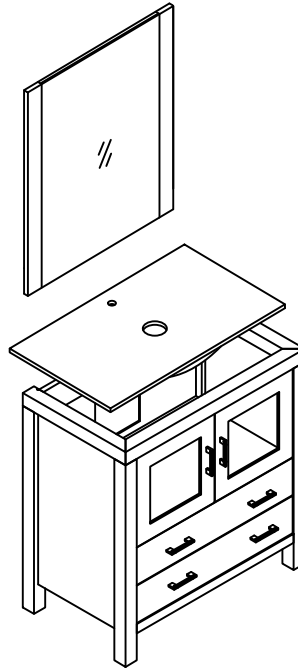
### Top Installation (Integrated Basin)



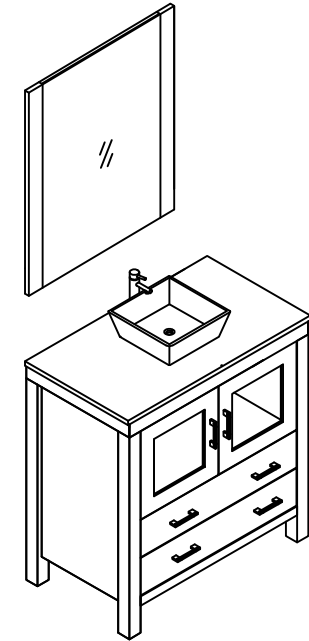
### Top Installation (Vessel Basin)



Apply adhesive around the top edges of the cabinet

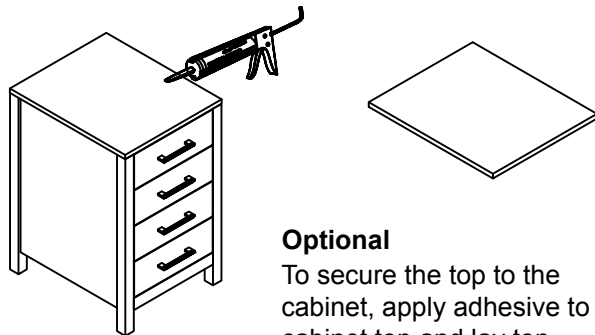


Carefully place the top over the cabinet



Align and center

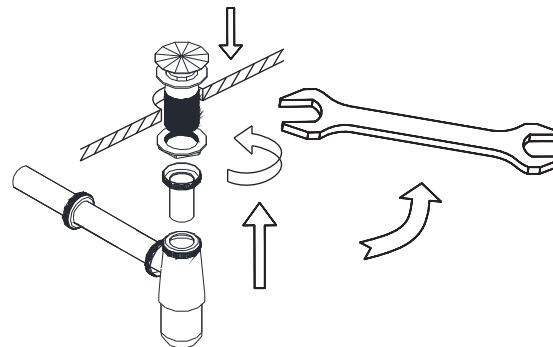
### Side Cabinet



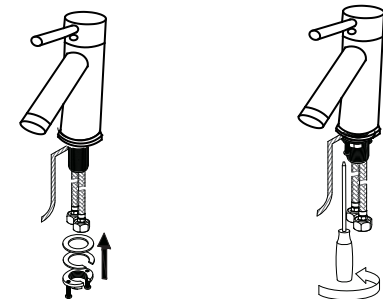
**Optional**

To secure the top to the cabinet, apply adhesive to cabinet top and lay top.

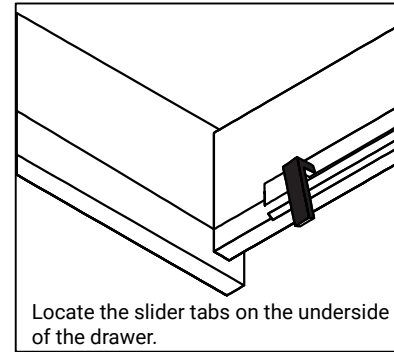
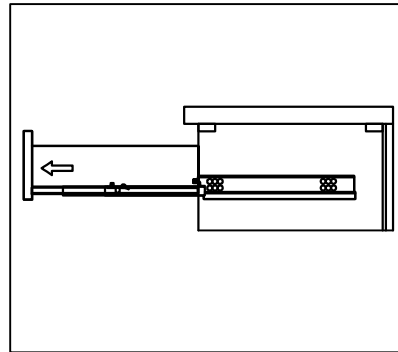
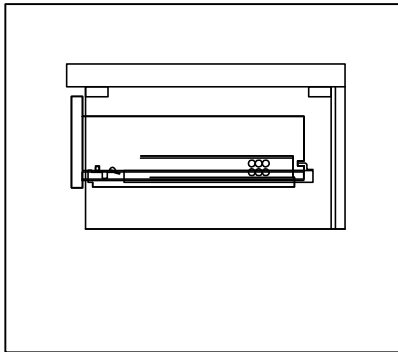
### Pop-Up & Drain



### Faucet



### DRAWER REMOVAL



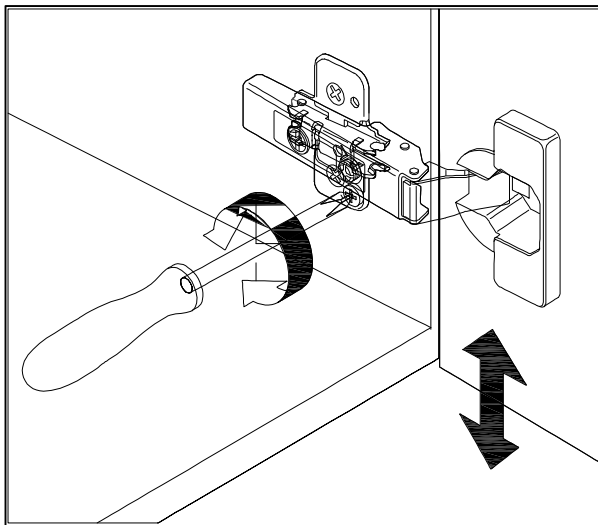
### REMOVAL

1. Pull tabs toward center
2. Lift and pull drawer out

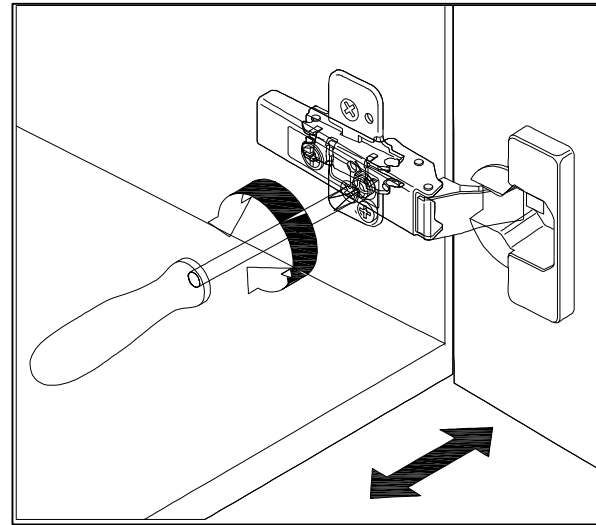
### RE-INSTALL

1. Align drawer hole with slider stud
2. Push tabs back in to secure

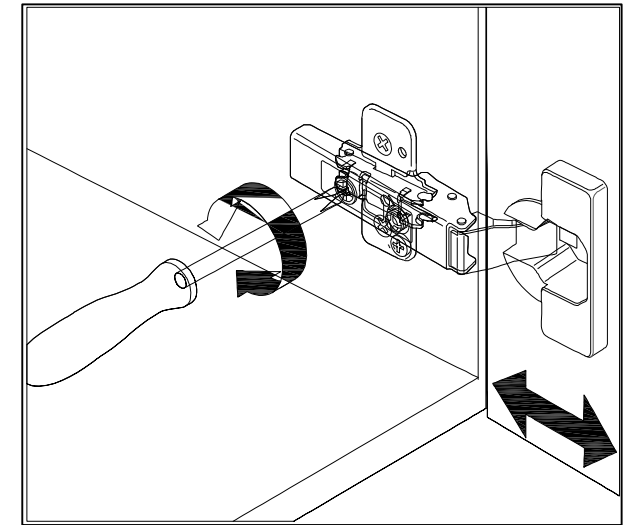
### DOOR ADJUSTMENT



Adjusts the door vertically



Adjusts the door horizontally



Adjusts the door forward and backwards